



# Jabbour DataKom sarl



جـبـور داتاكوـم ش.م.م.

## JDK

Control over power



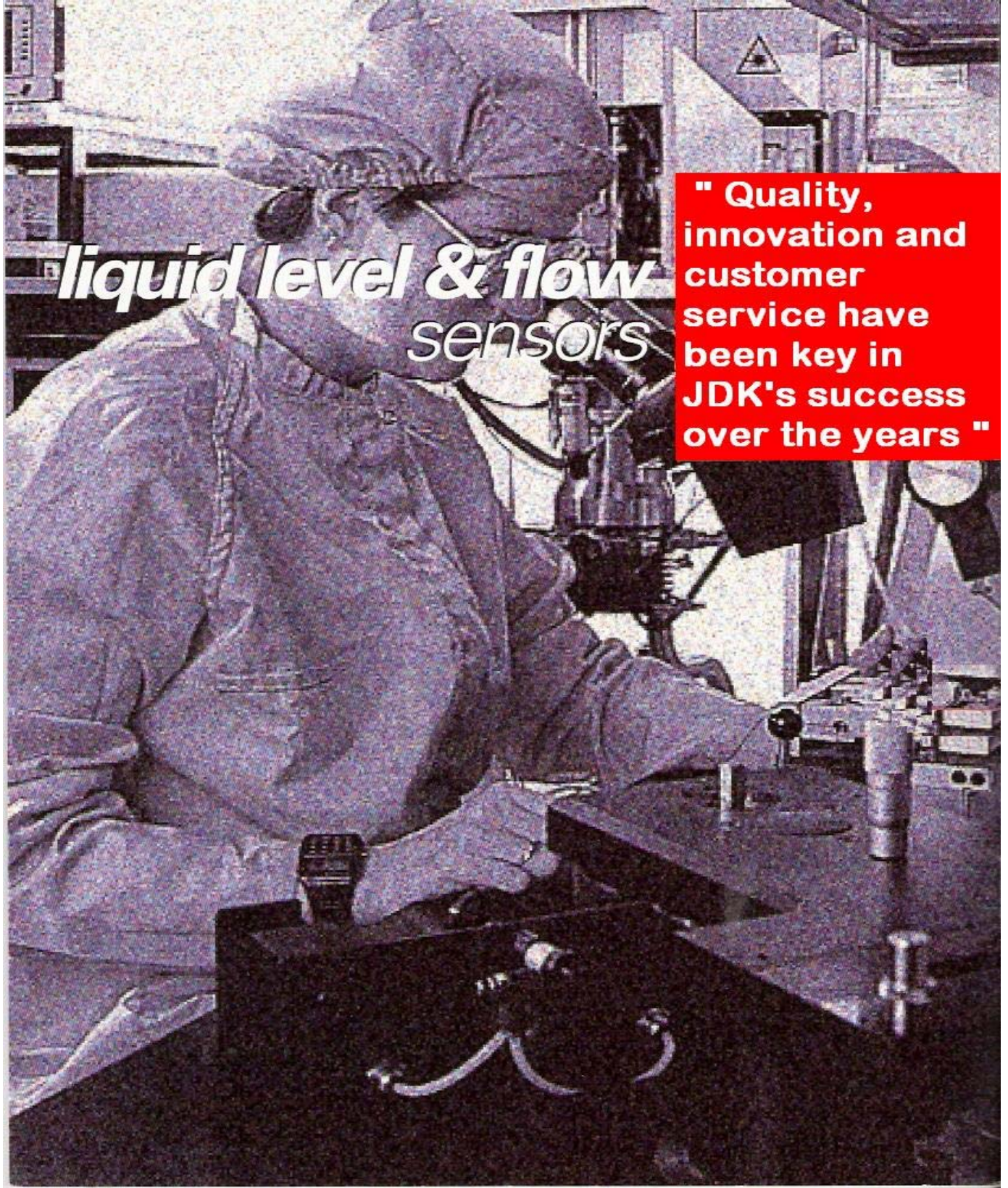
## liquid level & flow sensors



# Jabbour DataKom sarl



جـبـور داتاكوـم ش.م.م.



*liquid level & flow  
sensors*

" Quality, innovation and customer service have been key in JDK's success over the years "

St. MICHEL STREET, NAHR ROAD, MDAWAR AREA, JABBOUR BLDG. POSTAL CODE 20757620, BEIRUT- LEBANON

☎ : + 961-(0)1- 580758 / (0)1- 577557 / (0)1-564640 📞 : + 961 -(0)3- 201959 📠 : +961- (0)1- 585115

🌐 : [www.jabbourdatakom.com](http://www.jabbourdatakom.com) or [www.jabbourpower.com](http://www.jabbourpower.com) ✉ : [info@jabbourpower.com](mailto:info@jabbourpower.com)



# Jabbour DataKom sarl



جـبـور داتاكوم ش.م.م.

JDK

Control over power

**“ our aim is to form close partnerships with our customers, working with them at all levels ”**

A Pledge of Excellence



St. MICHEL STREET, NAHR ROAD, MDAWAR AREA, JABBOUR BLDG. POSTAL CODE 20757620, BEIRUT- LEBANON

☎ : + 961-(0)1- 580758 / (0)1- 577557 / (0)1-564640 📞 : + 961 -(0)3- 201959 📠 : +961- (0)1- 585115

🌐 : [www.jabbourdatakom.com](http://www.jabbourdatakom.com) or [www.jabbourpower.com](http://www.jabbourpower.com) ✉ : [info@jabbourpower.com](mailto:info@jabbourpower.com)



## JDK

Control over power

### liquid level & flow sensors



#### **liquid level sensors**

A comprehensive range of reedswitch/magnet operated float switches, available in vertical or horizontal configurations with internal or external mounting options. Electrical ratings from 3VA to 100VA (resistive) are available with 5 different material options to cover applications from boiling water to aggressive acids. The majority of the range has WBS and UL approval. Custom models are available.

#### **cable end liquid level sensors**

Cable end float switches designed for controlling levels in large tanks, cisterns or reservoirs and can be directly installed on submersible pumps. Capable of working down to 100 metres depth in water.

#### **flow switches**

In-line flow detection devices using magnetically activated double isolated reedswitch elements, housed in acetal copolymer.

Choice of models for use in hot (20 °C Max) or cold low pressure water systems. Also suitable for use in alcohols or dilute acids at ambient temperatures.

Variants with integral Triac buffers are available for higher switching performance particularly with inductive loads.

#### **custom products**

Custom configurations are available to meet the toughest environmental requirements.

Liquid Level Sensors are user configurable in a variety of shapes and sizes. Reed switches make these sensors extremely reliable, durable and maintenance-free. In addition, a wide range of housing materials are offered for most fluid and chemical environments.

Our goal is to become an extension of your company, solving your difficult engineering problems in our areas of expertise.

Count on our in-house engineering capability with the latest CAD/CAM technology to produce the results you need under one roof and in record time. Our high level of commitment and tight production control ensure consistent quality as well as outstanding product performance.

Speedy moulding techniques, unique shapes, high voltages, special housing for harsh environments and complete assemblies are the rule rather than the exception with us.












# selector guide



## liquid level sensors

		Page
	<b>RSF30:</b> General purpose, high power, horizontal internal mounted device	7
	<b>RSF40:</b> Low cost, compact design, horizontal internal mounted device	8
	<b>RSF40 Drop Float</b> Drop float horizontal internal mounted device with float pivot, designed to avoid immersion in liquid	9
	<b>RSF50:</b> Miniature vertical mount device	10
	<b>RSF60:</b> Vertical mount custom multi float switch system with extensions available	11
	<b>RSF70:</b> External mount range with a compression seal, access inside the chamber is not required	12
	<b>RSF80:</b> External mounted device with a 1/2 inch NPT taper thread	13



## cable end liquid level sensors

		Page
	<b>FFS:</b> Free floating sensor attached by cable	14



## liquid flow switches

		Page
	<b>Flow Switch Series</b> WBS approved for use in water systems	15



6

### JDK - Part Numbering System

The tables opposite show the preferred variants of each range that **JDK** offer.

The part numbering system will enable you to choose the product most suitable to your application.

Other variants are available. Please contact the Sales Office for details.

#### PART NUMBERING SYSTEM - RSF30 SERIES

Part Number	..... RSF3 X X 100 X X XXX
Material Code	3: Nylon, 4: Polypropylene
Contact Form	W: A100 R: C20
Cable Length in cm's (100 standard). For alternative lengths contact Sales.	
Cable Code	R: Wire PVC 16/0.2, Tri-rated, L: Cable PVC 16/0.2 3-core
Gasket Code	C: Nitrile, E: Silicone (RSF33), F: Nitrile, J: Silicone (RSF34)
Accessories Code	Please contact Sales.

#### PART NUMBERING SYSTEM - RSF40 SERIES

Part Number	..... RSF4 X X 100 X X XXX
Material Code	1: Acetal, 3: Nylon, 4: Polypropylene, 6: PPS
Contact Form	Y: A25, V: C3
Cable Length in cm's (100 standard). For alternative lengths contact Sales.	
Cable Code	R: Wire PVC 16/0.2, Tri-rated, M: Cable PVC 7/0.2 3-core, black
Gasket Code	F: Nitrile, J: Silicone
Accessories Code	401: Drop Float Variant. Please contact Sales for others.

#### PART NUMBERING SYSTEM - RSF50 SERIES

Part Number	..... RSF5 X X 100 X X XXX
Material Code	1: PVC, 2: PVC, 3: Nylon, 4: Polypropylene, 6: PPS
Contact Form	Y: A25, V: C3
Cable Length in cm's (100 standard). For alternative lengths contact Sales.	
Cable Code	R: Wire PVC 16/0.2, Tri-rated, M: Cable PVC 7/0.2 3-core
Gasket Code	C: Nitrile, E: Silicone
Accessories Code	Please contact Sales.

#### PART NUMBERING SYSTEM - RSF60 SERIES

Custom Product - Please contact Sales for details.

#### PART NUMBERING SYSTEM - RSF70 SERIES

Part Number	..... RSF7 X X 100 X X XXX
Material Code	3: Nylon, 4: Polypropylene, 6: PPS
Contact Form	Y: A25, V: C3
Cable Length in cm's (100 standard). For alternative lengths contact Sales.	
Cable Code	R: Wire PVC 16/0.2, Tri-rated, M: Cable PVC 7/0.2 3-core
Compression Seal	M: Silicone, N: Nitrile, V: Viton
Accessories Code	Please contact Sales.

#### PART NUMBERING SYSTEM - RSF80 SERIES

Part Number	..... RSF8 X X 100 X XXX
Material Code	3: Nylon, 4: Polypropylene, 6: PPS
Contact Form	Y: A25, V: C3
Cable Length in cm's (100 standard). For alternative lengths contact Sales.	
Cable Code	R: Wire PVC 16/0.2, Tri-rated, M: Cable PVC 7/0.2 3-core
Accessories Code	Please contact Sales.

#### PART NUMBERING SYSTEM - FFS SERIES


Part Number	..... FFS XX X XXX
Max Current	
Contact Form	
Cable Length in cm's (leave blank for 5M standard). Contact sales for other lengths	

#### PART NUMBERING SYSTEM - LIQUID FLOW SWITCHES

Part Number	..... FS XX X XXX
Model	15: 15mm dia, 15LF: 15mm dia Low Flow, 22: 22mm dia
Contact Form	A: Form A, B: Form B, T: Triac output
Cable Length in cm's (leave blank for 29cm standard)	

Subject to modification without prior notice



- Simple to mount and use.
- User configurable switching options.
- WBS approval. 
- 100W contacts available.
- Available in Nylon and Polypropylene.
- Reliable reedswitch contacts.
- Rugged design.
- Many variants are UL recognised components  
File number E171218.

### RSF30 Series

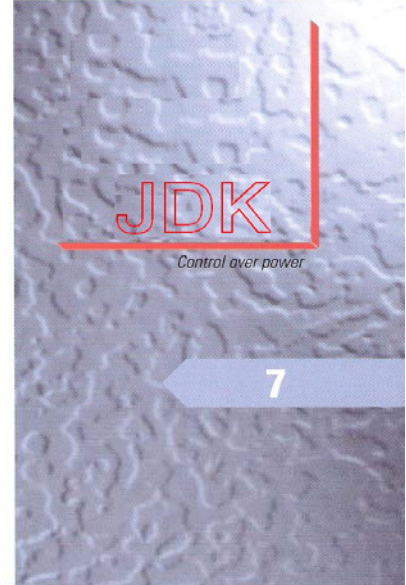
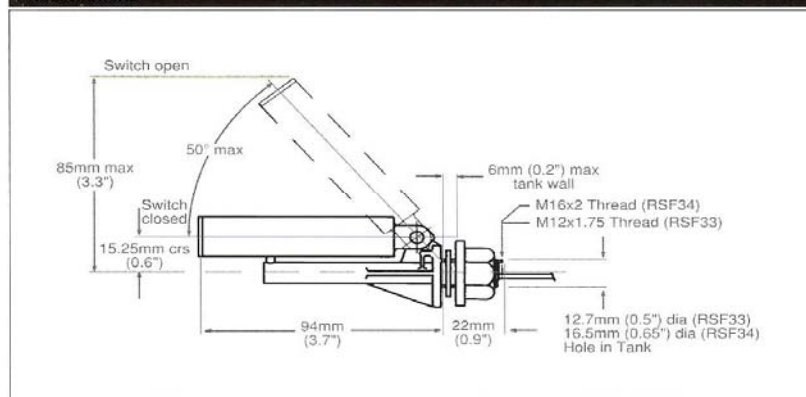
The RSF30 series of floatswitch are a range of general purpose, high power side entry devices. Manufactured in Nylon and Polypropylene, these devices can be easily configured to achieve normally open or normally closed operation by simply rotating through 180°.

TECHNICAL SPECIFICATION	RSF33	RSF34
Material	Nylon	Polypropylene
Colour	Black	Opaque
Temp. Range °C	-20 / +75	-20 / +100
°F	-4 / +167	-4 / +212
Min. Fluid S.G.	0.8	0.8

ELECTRICAL SPECIFICATION	W	R
Contact Form	A100	C20
VA Rating	100	20
Breakdown Voltage DC	575	600
Switching Voltage AC	240	350
Switching Voltage DC	-	350
Switching Current Max. A	5	1.5

All ratings are for resistive load only.

#### MECHANICAL




For ordering info

**SEE PAGE 6**

**liquid level sensors**





- Simple to mount and use.
- User configurable switching options.
- WBS approval. 
- 100W contacts available.
- Available in Nylon and Polypropylene.
- Reliable reedswitch contacts.
- Rugged design.
- Many variants are UL recognised components  
File number E171218.

### RSF30 Series

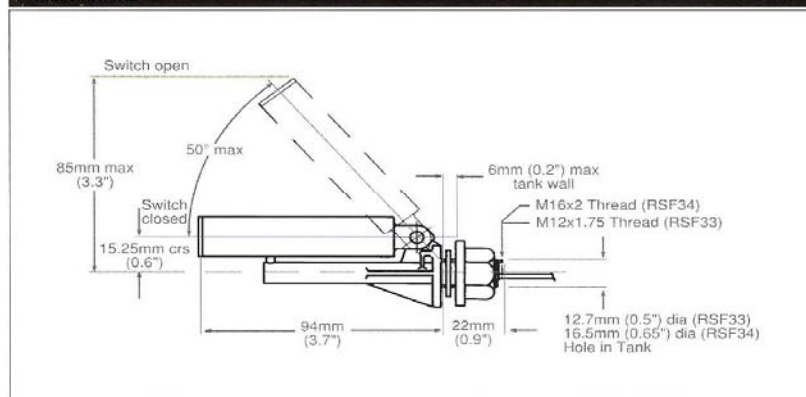
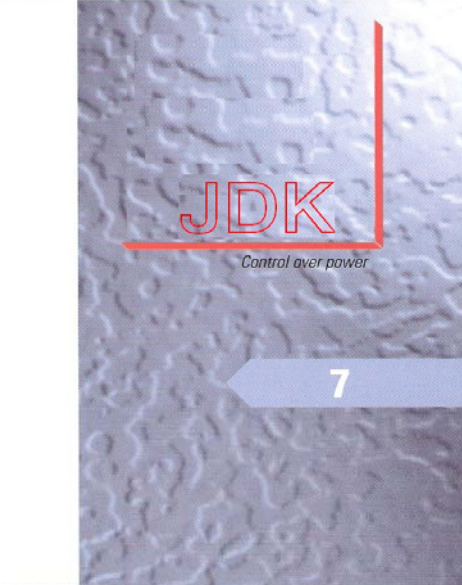

The RSF30 series of floatswitch are a range of general purpose, high power side entry devices. Manufactured in Nylon and Polypropylene, these devices can be easily configured to achieve normally open or normally closed operation by simply rotating through 180°.

TECHNICAL SPECIFICATION	RSF33	RSF34
Material	Nylon	Polypropylene
Colour	Black	Opaque
Temp. Range °C	-20 / +75	-20 / +100
°F	-4 / +167	-4 / +212
Min. Fluid S.G.	0.8	0.8


ELECTRICAL SPECIFICATION	W	R
Contact Form	A100	C20
VA Rating	100	20
Breakdown Voltage DC	575	600
Switching Voltage AC	240	350
Switching Voltage DC	-	350
Switching Current Max. A	5	1.5

All ratings are for resistive load only.

#### MECHANICAL






For ordering info  
**SEE PAGE 6**

**liquid level sensors** 





- Pivot Clear of Liquid
- Compact design.
- Available in Nylon, Polypropylene or PPS.
- Many variants are UL recognised components File No. E171218.
- WBS approval. 

### RSF40 Drop Float

The drop float has been designed to eliminate problems associated with limescale build up around the pivot point of a conventional float switch.

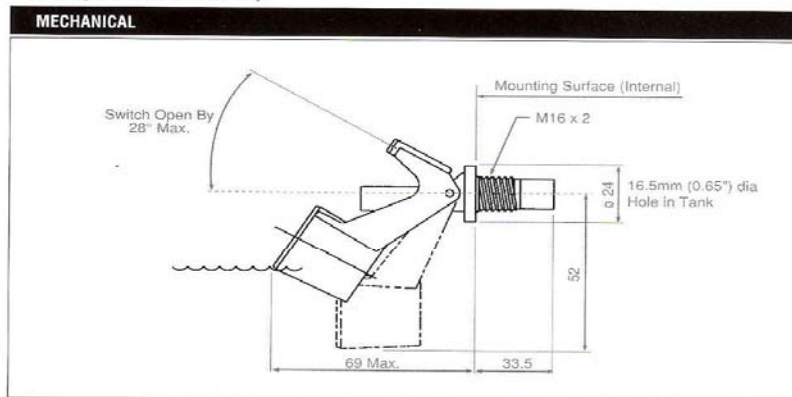


The drop float actuator allows the switch housing and float pivots to be located above the surface of the liquid and provides normally closed switch contact opening as the liquid level rises.

TECHNICAL SPECIFICATION	RSF43	RSF44	RSF46
Material	Nylon	Polypropylene	Polyphenylene Sulphide (PPS)
Colour	Black	Opaque	Grey
Temp. Range °C	-20 / +75	-20 / +100	-10 / +120
°F	-4 / +167	-4 / +212	+14 / +248
Min. Fluid S.G.	0.75	0.75	0.75


ELECTRICAL SPECIFICATION	Y	V
Contact Form	A25	C3
VA Rating	25	3
Breakdown Voltage DC	800	150
Switching Voltage AC	240	48
Switching Voltage DC	120	28
Switching Current Max. A	0.6	0.25

All ratings are for resistive load only.


For ordering info  
**SEE PAGE 6**

**liquid level sensors**





10

- Reliable reed switch contacts.
- Available in PVC, Nylon, PPS and Polypropylene.
- User configurable N/O or N/C operation.
- Quick and simple to install.
- Miniature design.
- WBS approved. 
- Variety of switching options
- Available with 1/8" NPT Taper Thread
- Many variants are UL recognised components File Number E171218.

### RSF50 Series

The RSF50 series of floatswitch are miniature vertically mounted devices designed to achieve reliable, economical liquid level sensing with a minimum of insertion time. Manufactured in PVC, Nylon, PPS and Polypropylene, most commonly used fluids are catered for (refer to the factory for specific suitability details). Mounting is simple and quick from the inside of the tank, nut and washer supplied. Many variants carry WBS and UL approval.

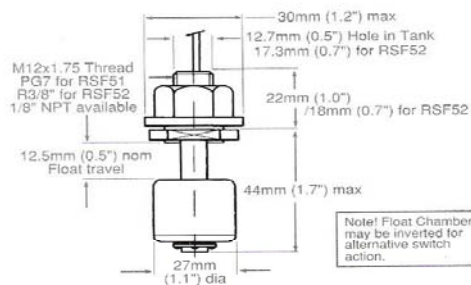


TECHNICAL SPECIFICATION	RSF51/52	RSF53	RSF54	RSF56
Material	PVC	Nylon	Polypropylene	Polyphenylene Sulphide (PPS)
Colour	Light Grey	Black	Opaque	Grey
Temp. Range °C	-20 / +60	-20 / +75	-20 / +100	-10 / +120
°F	-4 / +140	-4 / +167	-4 / +212	+14 / +248
Min. Fluid S.G.	0.7	0.8	0.8	0.85

ELECTRICAL SPECIFICATION	Z	Y	V
Contact Form	A10 (RSF51/52)	A25	C3
VA Rating	10	25	3
Breakdown Voltage DC	215	800	150
Switching Voltage AC	125	240	48
Switching Voltage DC	150	120	28
Switching Current Max. A	0.5	0.6	0.25

All ratings are for resistive load only.

#### MECHANICAL





### RSF60 Series

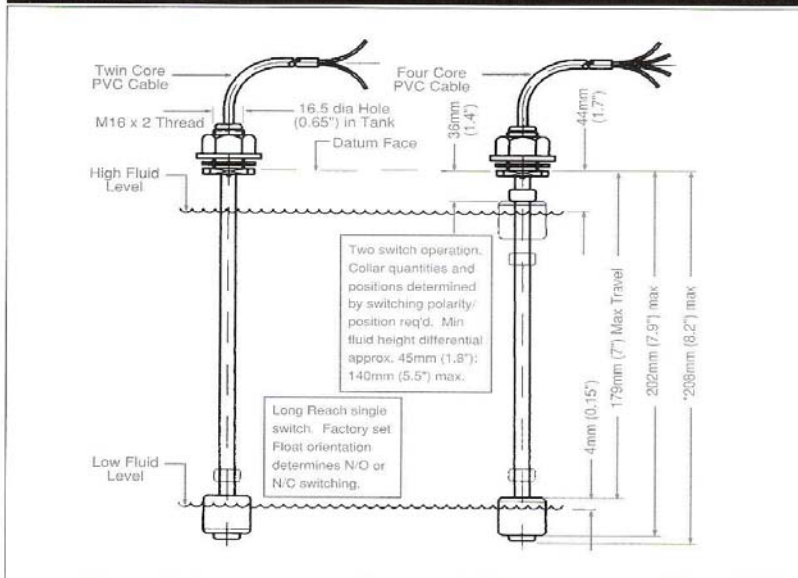
The RSF60 series of floatswitch have been specifically designed to offer the user a deep penetration float with a configurable number of switching options to cater for a variety of system requirements. Manufactured from high grade Polyphenylene Sulphide (PPS) the RSF66 is compatible with most liquids and chemicals (refer to the factory for specific suitability details) offering switching capabilities up to 240V AC. Extensions manufactured from PVC and sealing to IP67 can be added to achieve lengths of 1.5 metres easily. Please contact sales for further information.

TECHNICAL SPECIFICATION	RSF64	RSF66
Material	Polypropylene (float)	PPS
Colour	Opaque	Grey
Temp. Range °C	-10 / +100	-10 / +120
°F	+14 / +212	+14 / +248
Min. Fluid S.G.	0.8	0.85

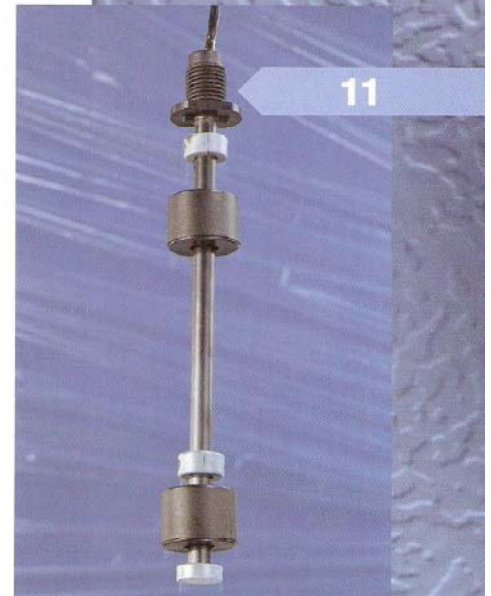
ELECTRICAL SPECIFICATION	
Contact Form	A25
VA Rating	25
Breakdown Voltage DC	800
Switching Voltage AC	240
Switching Voltage DC	120
Switching Current Max. A	0.6

All ratings are for resistive load only.

#### MECHANICAL



\*For longer reach, extension tubes are available. Please contact the Sales Office for details.



- Configurable switching options.
  - Long reach.
  - WBS approved.
  - Extension tubes available.
  - Simple to mount and use.
  - One or two float option.
  - PPS material.
  - Many variants are UL recognised components.
- File Number E171218

For ordering info

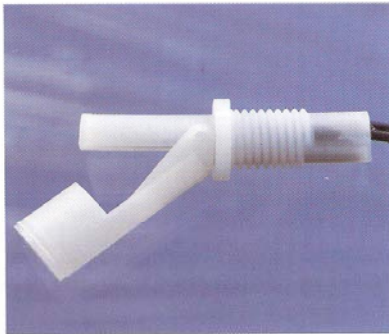
SEE PAGE 6

liquid level sensors



12

- External mount.
- Compact size.
- WBS approval.
- Available in Nylon, Polypropylene and PPS.
- Fast fitting.
- Easily serviceable.
- Many variants are UL recognised components File Number E171218.



### RSF70 Series

The RSF70 series offer the user an affordable external mount switch. Installation is achieved via a high grade compression seal. This avoids the need for access to the inside of the chamber. Manufactured in a variety of materials to suit most commonly used fluids with a host of switching configurations available. These devices are ideally suited to applications where space or fitting time are prime considerations.

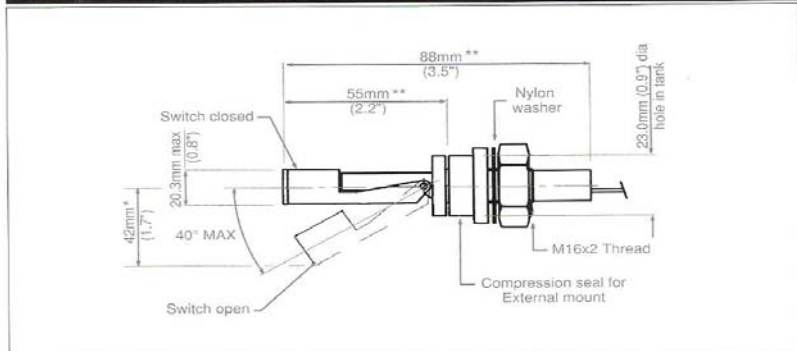
TECHNICAL SPECIFICATION	RSF73	RSF74	RSF76
Material	Nylon	Polypropylene	PPS
Colour	Black	Opaque	Grey
Temp. Range °C	-20 / +75	-20 / +100	-10 / +120
°F	-4 / +167	-4 / +212	+14 / +248
Min. Fluid S.G.	0.85	0.85	0.85

ELECTRICAL SPECIFICATION	Y	V
Contact Form	A25	C3
VA Rating	25	3
Breakdown Voltage DC	800	150
Switching Voltage AC	240	48
Switching Voltage DC	120	28
Switching Current Max. A	0.6	0.25

All ratings are for resistive load only.

#### MECHANICAL



\*49mm, RSF76

\*\*Add 10mm to dims, RSF76

- External mount
- Quick to install and maintain.
- Available in Polypropylene, Nylon or PPS.
- N/O or N/C indicator.
- Ideal for tanks with inaccessible tops or bottoms.
- Many variants are UL recognised components File Number E171218.
- WBS approval.

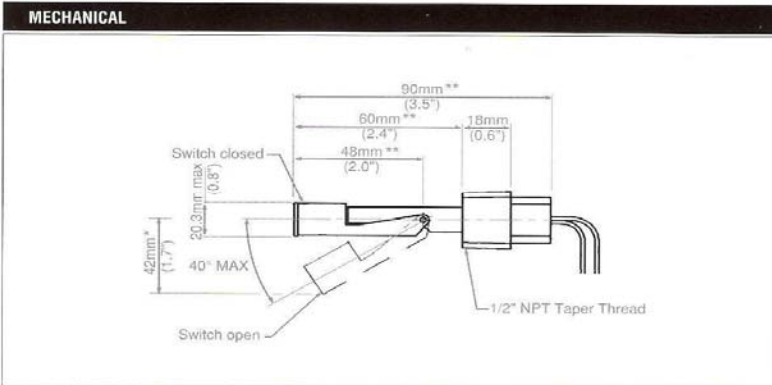
### RSF80 Series

The RSF80 series has been developed by factory to further enhance their externally mounted range of liquid level sensors. Utilising a 1/2" NPT taper thread, simple and quick mounting can be achieved. Rotation through 180° can give normally open or normally closed operation. Available in a variety of materials to fulfil most chemical environments.

TECHNICAL SPECIFICATION	RSF83	RSF84	RSF86
Material	Nylon	Polypropylene	PPS
Colour	Black	Opaque	Grey
Temp. Range °C	-20 / +75	-20 / +100	-10 / +120
°F	-4 / +167	-4 / +212	+14 / +248
Min. Fluid S.G.	0.85	0.85	0.85

ELECTRICAL SPECIFICATION	Y	V
Contact Form	A25	C3
VA Rating	25	3
Breakdown Voltage DC	800	150
Switching Voltage AC	240	48
Switching Voltage DC	120	28
Switching Current Max. A	0.6	0.25

All ratings are for resistive load only.



\*49mm, RSF86

\*\*Add 10mm to dims, RSF86

13

For ordering info  
**SEE PAGE 6**

liquid level sensors

14



- Direct power switching.
- Cable mounting.
- 100 metre depth capability.

### FFS Series

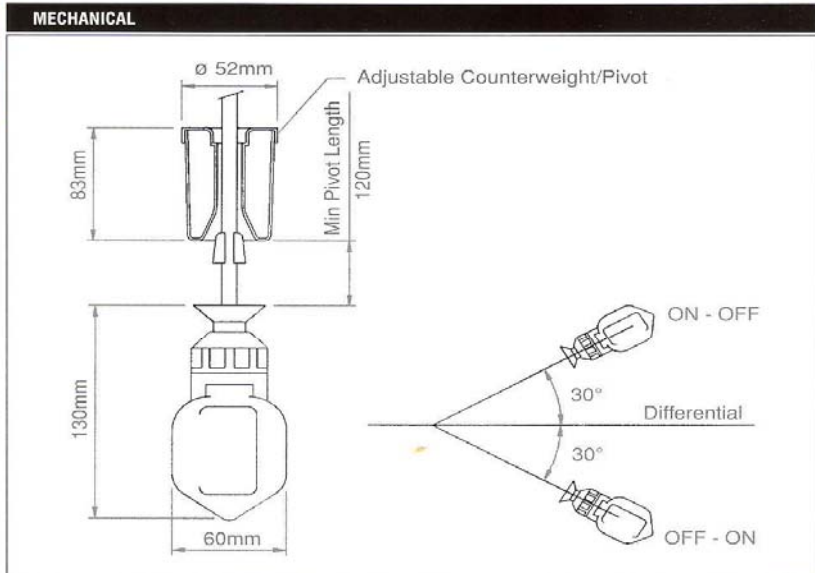
The FFS series of cable end float switches are designed for controlling levels in large tanks, cisterns or reservoirs and can be directly installed on submersible pumps. The casing is manufactured in blow moulded Moplen, with 5m PVC cable with protective earth conductor as standard. The switching element is a microswitch, with UL, VDE and CENELEC approvals, activated by a moving stainless steel ball and having an electrical life of 200,000 operations. Non-hygroscopic closed cell expanded polyurethane is injected around the switch housing within the outer casing, hermetically sealing the unit. It is capable of working down to 100 metres depth in water.

Other models, including versions for use in fuel oils, are available. Please contact our sales office for details.

TECHNICAL SPECIFICATION	FFS-10A	FFS-10C
Contact Form	A	C
Material	Moplen	
Colour	Red	
Temp. Range °C	0 / +55	
°F	+32 / +131	

ELECTRICAL SPECIFICATION		
Power Rating	AC: 750VA or DC: 180W	
Switching Voltage AC	250	
Switching Voltage DC	110	
Switching Current Max. Resistive A	10	
Switching Current Max. Inductive A	AC: 4 or DC: 1	





### Flow Switch Series

Our range of Flow Switches are reed switch based devices which are manufactured in Acetal resin. These switches are designed for use in liquid flow systems up to 10 Bar pressure. Triac buffered versions are available which allow loads to be switched directly by the flow switch, without the use of an intermediate relay. Their advanced design ensures minimal fluid flow restriction and direct 240 Volt handling up to 1.5 Amps (10A peak inrush).

ELECTRICAL SPECIFICATION	FS15	FS15LF	FS22	FS15T	FS22T
Max. Switching Voltage DC or AC (rms)	240			240	
Repelitive peak off state voltage DC or AC (rms)	240			240	
Max. on state surge current A	-			10 @ 50 Hz	
Max. full cycle continuous current A	-			1.5 @ 50 Hz	
Max. Switching Power VA	15			360	
Contact form	A/B			A	

All ratings are for resistive load only.

TECHNICAL SPECIFICATION		FS15	FS15LF	FS22
Operate Flow Rate *	litres/min	2.0	0.90	3.75
	US gals/min	0.53	0.24	0.99
Release Flow Rate **	litres/min	0.3	0.25	1.40
	US gals/min	0.08	0.07	0.37

\* The switch will have operated when the flow rate rises above this value.

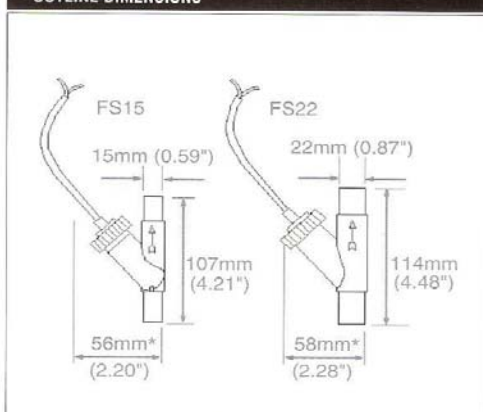
\*\* The switch will have released when the flow rate falls below this value.

### Installation

Before installation check the free movement of the switch plunger by gently rocking the switch.

Flow switches can be mounted horizontally or vertically. As the operating piston is returned to its original position by gravity the cap must always be upwards. Greater operate flow sensitivity is achieved with vertical installation.

#### OUTLINE DIMENSIONS



NOTE: Custom End pipe connections are available, please contact the Sales Department.  
\*Increase dimension by 14mm for Triac version.

**JDK**  
Control over power

**15**

- Maximum Operating Pressure 10 bar. (140 PSI)
- Triac protected versions available.
- Up to 1.5A switching (10A Peak in-rush).
- WBS approval.
- Temperature rated to 85°C (185°F).

For ordering info  
**SEE PAGE 6**

**liquid flow sensors**